



p r e l i m i n a r y

professional projector series

F20 720

true 720p resolution

DLP® technology

full BrilliantColor™

full 24/7 operation guarantee



### projectiondesign F20 720

More and more professional applications are displaying images in wide screen format. The F20 720 is perfectly suited for public displays, point-of-sales, and applications where a small and unobtrusive projector with high performance, wide screen image is desired, and built-in reliability and manageability are mandatory. At a surprisingly low price, the F20 720 features a long lasting lamp and an optional 24/7 operation guarantee. the networkable projector features a rugged magnesium chassis, and covers exactly these requirements. Texas Instruments® new BrilliantColor™ DLP® technology provides amazing images in any application. The F20 720 shares all operational and features with the F20 sx+.



[www.projectiondesign.com](http://www.projectiondesign.com)

### DLP® technology

The F20 720 uses DLP® technology to achieve the highest possible image quality, as well as unmatched reliability. DLP® technology, as the preferred technology for demanding applications, ensures predictable performance over years of service, and is guaranteed to not be affected by intensive use.

### High brightness and contrast

The F20 720 outputs enough brightness to easily fill a wide range of screen sizes in the most typical point of sales and public display applications.

### RealColor and BrilliantColor™

Our proprietary RealColor technology simplifies set up and calibration, and ensures a near perfectly rendered image with any given input source. By combining it with Texas Instruments® BrilliantColor™ technology, a wide gamut, strongly saturated image is projected.

### High performance optics

The F20 720 features an all-glass, semi long throw zoom lens, and optional long throw zoom, wide angle and ultra wide angle lenses. Aspherical lens elements and low distortion glass, combined with two options for short throw, wide angle lenses, makes the F20 720 perfectly suited also for very small environments, such as High Definition rear projection installations.

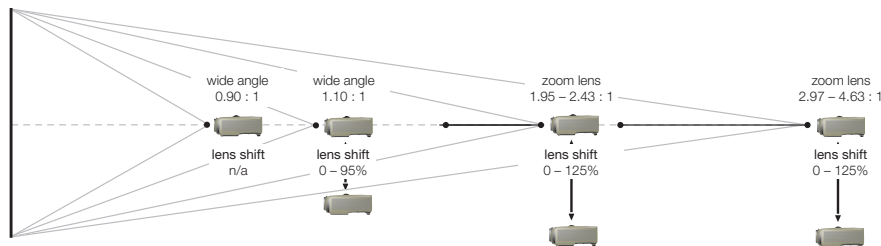
### projectiondesign ProNet asset management

Optional asset management software allows easy management in large site installations, or even multi-site installations, supporting hundreds of projectors from a single interface, to manage for instance large point-of-sales networks.

### 10-bit colour resolution and HDMI 1.3 input

The F20 720 is available with full 10-bit colour resolution support, powerful dnx® video processing by Pixelworks, and features an HDMI 1.3 digital interface, in addition to the established DVI, VGA and analogue inputs.

### Optical lens shift



### Lens shift enables flexible installations

The F20 720 features a 0 – 125% vertical lens shift. That means more flexibility with installations and no keystone correction needed for a perfectly rectangular image.

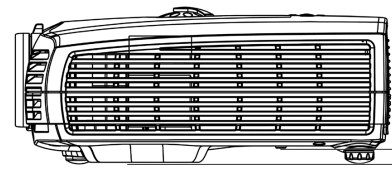
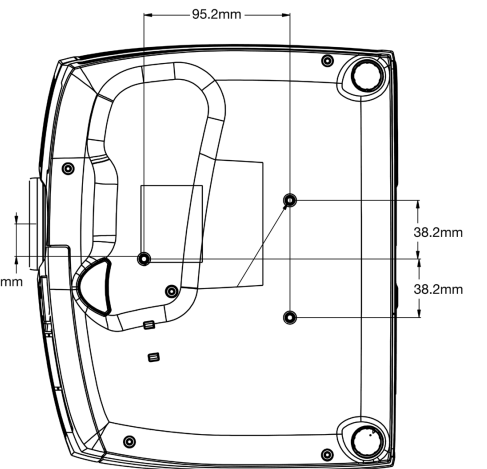
### Available versions

Projection Lens	0.90 : 1 (ultra wide angle)	1.10 : 1 (wide angle)	1.95 - 2.43 : 1 (standard zoom)	2.97 - 4.63 : 1 (standard zoom)
Colour Wheel				
RGBCMY (VizSim)	101-1220-08	101-1219-08	101-1218-08	101-1254-08
RGBCYW (Graphics)	101-1223-08	101-1222-08	101-1221-08	101-1255-08

### technical specifications

projector		F20 720
display	technology	720p HDTV DLP® digital projector
	colour wheel options	0.8" 720p DC3™ DMD™ (Digital Micromirror Device)
	resolution	VizSim, Graphics
	brightness	1280 x 720 pixels (full 720p HDTV)
	contrast ratio	up to 1900 ANSI lumens
	colours	up to 4000 : 1
	colours	30-bit (10 bits per colour)
optics and lamp	available lenses	0.90 : 1, 1.10 : 1, 1.95 – 2.43 : 1, 2.97 – 4.63 : 1
	focusing distance	up to 10m
	optical lens shift	Vertical: 0 – 125% (lens model dependent)
	lamp	220W UHP™
	lamp life	2250 hrs full power mode, 3000 hrs standard mode
connectivity	digital	HDMI 1.3 and DVI (HDCP)
	analogue	VGA, DVI-I, component, s-video, video
	asset management	projectiondesign ProNet – client/server based asset management
	control	RS-232, TCP/IP, IR
general	operating noise level (typ)	28 dB (A) at 20°C/ 68°F, sea level
	dimensions (dwh)	234 x 278 x 94 mm (excluding lens)
	weight	about 2.9 kg (depending on lens)
	supplied accessories	IR remote control, basic cable kit
	power requirements	90 – 240 VAC, 50/60 Hz, +/- 10%, <1050W
	conformances	CE, CSA "C/US", FCC Class A, CCC
	available colour	black metallic
	warranties	2 years parts and labour, 500 hours or 90 days on lamp, conditions apply 3rd year optional warranty

### Standardised bolt-on ceiling mount interface



Distributed by: